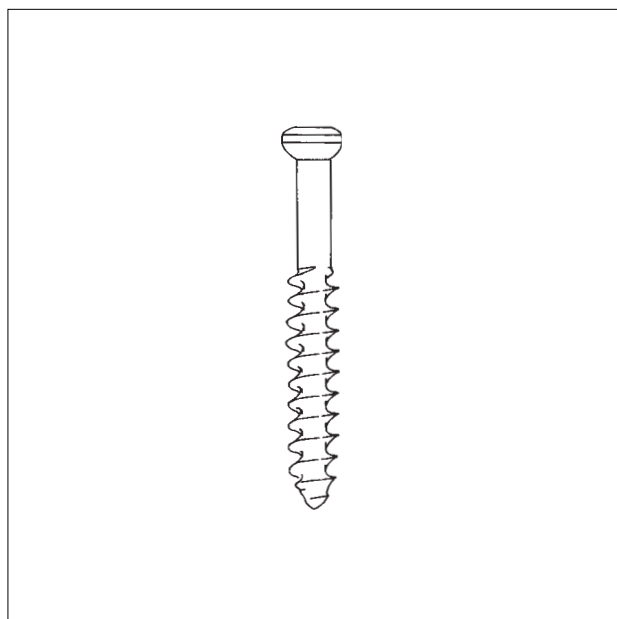


# BONE SCREWS AND PLATES



## SECTION T





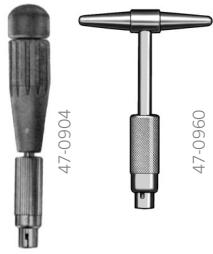



To fasten fractured bone segments together.

### CONTENTS

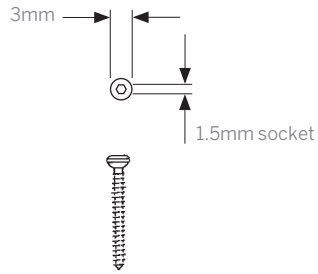
Master Guide	1-2
Cortical Bone Screws	3-6
Malleolar Bone Screws	6
Cancellous Bone Screws	5-8
Cortex Self-Tapping Bone Screws	8-10
Bone Plates	11-19

TYPE OF SCREW	CORTICAL				CANCELOUS		CORTICAL	MALLEOLAR	CANCELOUS		
	OM NO.	SYN210006-20	SYN210006-38	SYN202006-40	SYN204010-110	SYN206010-60	SYN207010-60	SYN215025-30	SYN216030-120	SYN217045-150	SYN218020-06
thread diameter	1.5mm	2.0mm	2.7mm	2.5mm	3.5mm	4.0mm	4.0mm	4.5mm	6.5mm	6.5mm	6.5mm
	1.5mm	1.5mm	1.5mm	2.5mm	2.5mm	2.5mm	2.5mm	3.5mm	3.5mm	3.5mm	3.5mm
hexagonal socket size											
DRILL FOR GLIDING HOLE	OM NO.	48-0052	48-0054	48-0058	48-0063	48-0063	—	—	48-0067	48-0068	48-0068
	diameter	1.5mm	2.0mm	2.7mm	3.5mm	3.5mm	NONE	NONE	4.5mm	4.5mm	4.5mm
DRILL FOR THREADED HOLE	OM NO.	48-0051	48-0052	48-0054	48-0057	48-0054 or 48-0057	48-0054 or 48-0057	48-0061	48-0061	48-0061	48-0061
	diameter	1.1mm	1.5mm	2.0mm	2.5mm	2.0mm or 2.5mm	2.0mm or 2.5mm	3.2mm	3.2mm	3.2mm	3.2mm
TAP	OM NO.	48-0106	48-0108	48-0110	48-0112	48-0114	48-0114	48-0116	48-0122	48-0122	48-0122
	diameter	1.5mm	2.0mm	2.7mm	3.5mm	3.5mm	3.5mm	4.5mm	6.5mm	6.5mm	6.5mm

# MASTER GUIDE - SCREWS, DRILL BITS, TAPS, INSTRUMENTS

TYPE OF SCREW	CORTICAL				CANCELOUS		CORTICAL	MALLEOLAR	CANCELOUS		
	SYN210006-20	SYN211006-38	SYN202000-40	SYN2104010-110	SYN206010-60	SYN207010-60			SYN214014-095	SYN215025-30	SYN216030-120
thread diameter	1.5mm	2.0mm	2.7mm	3.5mm	4.0mm	4.0mm	4.5mm	4.5mm	6.5mm	6.5mm	6.5mm
hexagonal socket size	1.5mm	1.5mm	2.5mm	2.5mm	2.5mm	2.5mm	3.5mm	3.5mm	3.5mm	3.5mm	3.5mm
<b>COUNTERSINK</b> 	47-0920	47-0920	47-0922	47-0922	47-0922	47-0922	47-0926	47-0924	47-0926	47-0926	47-0926
pilot diameter	1.1mm	1.1mm	2.0mm	2.0mm	2.0mm	2.0mm	4.5mm	3.2mm	4.5mm	4.5mm	4.5mm
<b>DEPTH GAUGE</b> 	47-0934	47-0934	47-0936	47-0936	47-0936	47-0936	47-0940	47-0940	47-0940	47-0940	47-0940
graduation	24mm	24mm	50mm	50mm	50mm	50mm	100mm	100mm	100mm	100mm	100mm
<b>QUICK COUPLING HANDLE</b> 	47-0902	47-0902	47-0904	47-0904	47-0904	47-0904	47-0904	47-0904	47-0904	47-0904	47-0904
<b>SCREWDRIVERS</b> 	47-0950	47-0950	47-0953	47-0953	47-0953	47-0953	47-0954	47-0954	47-0954	47-0954	47-0954
			47-0952	47-0952	47-0952	47-0952	48-0352	48-0352	48-0352	48-0352	48-0352
			48-0350	48-0350	48-0350	48-0350	48-0479	48-0479	48-0479	48-0479	48-0479
			48-0480	48-0480	48-0480	48-0480					
<b>RATCHETING HANDLE</b> 	48-0052	48-0054	48-0058	48-0063	48-0063	48-0063	48-0067	—	48-0067	48-0068	48-0068
Hex shafts are designed to work together.											
<b>HEX SHAFTS</b> 											

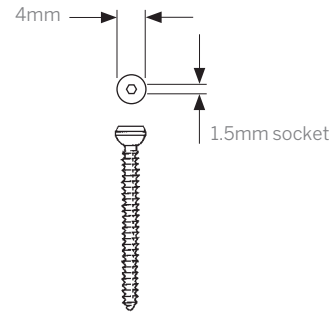
**Note:** For the correct instrumentation, please refer to the chart at the beginning of this section.



**1.5MM CORTICAL SCREWS**

Thread diameter: 1.5mm  
Hexagonal socket: 1.5mm

	Total length
OM SYN210006	6mm
OM SYN210007	7mm
OM SYN210008	8mm
OM SYN210009	9mm
OM SYN210010	10mm
OM SYN210011	11mm
OM SYN210012	12mm
OM SYN210014	14mm
OM SYN210016	16mm
OM SYN210018	18mm
OM SYN210020	20mm



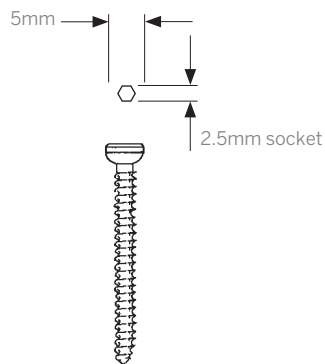
**2.0MM CORTICAL SCREWS**

Thread diameter: 2mm  
Hexagonal socket: 1.5mm

	Total length
OM SYN211006	6mm
OM SYN211008	8mm
OM SYN211010	10mm
OM SYN211012	12mm
OM SYN211014	14mm
OM SYN211016	16mm
OM SYN211018	18mm
OM SYN211020	20mm
OM SYN211022	22mm
OM SYN211024	24mm
OM SYN211026	26mm
OM SYN211028	28mm
OM SYN211030	30mm
OM SYN211032	32mm
OM SYN211034	34mm
OM SYN211036	36mm
OM SYN211038	8mm

# CORTICAL BONE SCREWS

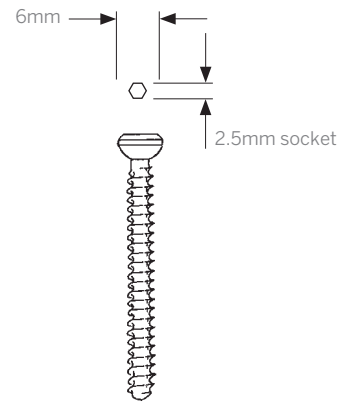
**Note:** For the correct instrumentation, please refer to the chart at the beginning of this section.



## 2.7MM CORTICAL SCREWS

Thread diameter: 2.7mm  
Hexagonal socket: 2.5mm  
Core diameter: 1.9mm  
Head diameter: 5.0mm

	Total length
OM SYN202006	6mm
OM SYN202008	8mm
OM SYN202010	10mm
OM SYN202012	12mm
OM SYN202014	14mm
OM SYN202016	16mm
OM SYN202018	18mm
OM SYN202020	20mm
OM SYN202022	22mm
OM SYN202024	24mm
OM SYN202026	26mm
OM SYN202028	28mm
OM SYN202030	30mm
OM SYN202032	32mm
OM SYN202034	34mm
OM SYN202036	36mm
OM SYN202038	38mm
OM SYN202040	40mm

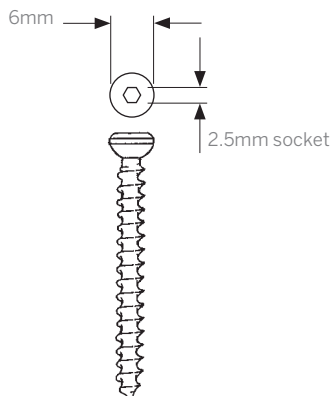


## 3.5MM CORTICAL SCREWS

Thread diameter: 3.5mm  
Pitch: 1.25mm (fine thread)  
Hexagonal socket: 2.5mm  
Core diameter: 2.4mm  
Head diameter: 6.0mm

	Total length
OM SYN204010	10mm
OM SYN204012	12mm
OM SYN204014	14mm
OM SYN204016	16mm
OM SYN204018	18mm
OM SYN204020	20mm
OM SYN204022	22mm
OM SYN204024	24mm
OM SYN204026	26mm
OM SYN204028	28mm
OM SYN204030	30mm
OM SYN204032	32mm
OM SYN204034	34mm
OM SYN204036	36mm
OM SYN204038	38mm
OM SYN204040	40mm
OM SYN204045	45mm
OM SYN204050	50mm
OM SYN204055	55mm
OM SYN204060	60mm
OM SYN204065	65mm
OM SYN204070	70mm
OM SYN204075	75mm
OM SYN204080	80mm
OM SYN204085	85mm
OM SYN204090	90mm
OM SYN204095	95mm
OM SYN204100	100mm
OM SYN204105	105mm
OM SYN204110	110mm

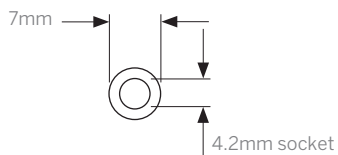
Note: For the correct instrumentation, please refer to the chart at the beginning of this section.



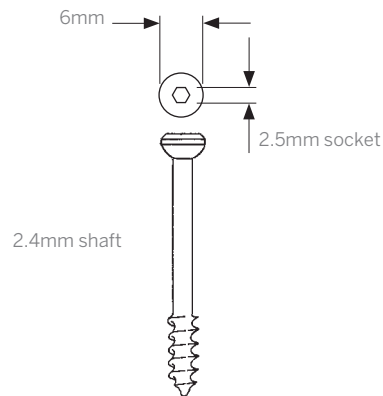
**4.0MM CANCELLOUS SCREWS**

Thread diameter: 4.0mm  
 Pitch: 1.75mm (coarse thread)  
 Hexagonal socket: 2.5mm  
 Core diameter: 1.9mm  
 Head diameter: 6.0mm

	Total length
OM SYN206010	12mm
OM SYN206012	14mm
OM SYN206014	16mm
OM SYN206016	18mm
OM SYN206018	20mm
OM SYN206020	22mm
OM SYN206022	24mm
OM SYN206024	26mm
OM SYN206026	28mm
OM SYN206028	30mm
OM SYN206030	32mm
OM SYN206032	35mm
OM SYN206035	40mm
OM SYN206040	45mm
OM SYN206045	50mm
OM SYN206050	55mm
OM SYN206055	60mm
OM SYN206060	65mm
OM SYN206065	70mm
OM SYN206070	75mm



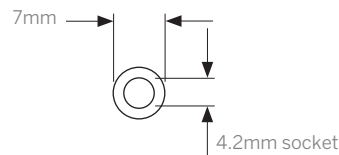
**WASHER**  
 OM 73-0509  
 for 4mm cancellous screws



**4.0MM CANCELLOUS SCREWS**

Partially threaded  
 Thread diameter: 4.0mm  
 Shaft diameter: 2.4mm  
 Hexagonal socket: 2.5mm  
 Core diameter: 1.9mm  
 Head diameter: 6.0mm

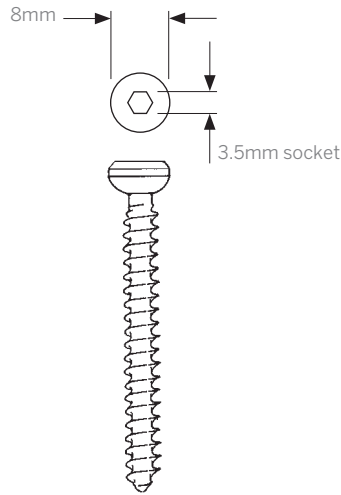
	Total length
OM SYN207010	10mm
OM SYN207012	12mm
OM SYN207014	14mm
OM SYN207016	16mm
OM SYN207018	18mm
OM SYN207020	20mm
OM SYN207022	22mm
OM SYN207024	24mm
OM SYN207026	26mm
OM SYN207028	28mm
OM SYN207030	30mm
OM SYN207035	35mm
OM SYN207040	40mm
OM SYN207045	45mm
OM SYN207050	50mm
OM SYN207055	55mm
OM SYN207060	60mm



**WASHER**  
 OM 73-0509  
 for 4mm cancellous screws

# CORTICAL BONE SCREWS

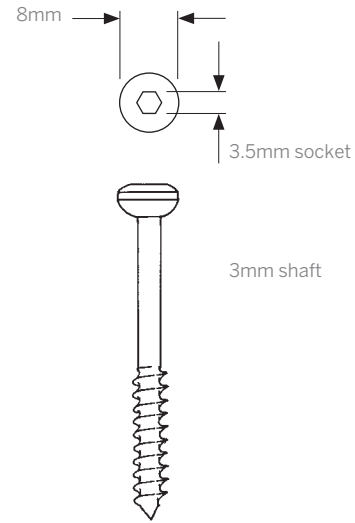
**Note:** For the correct instrumentation, please refer to the chart at the beginning of this section.



## 4.5MM CORTICAL SCREWS

Fully threaded  
Thread diameter: 4.5mm  
Hexagonal socket: 3.5mm

	Total length		Total length
OM SYN214014	14mm	OM SYN214058	58mm
OM SYN214016	16mm	OM SYN214060	60mm
OM SYN214018	18mm	OM SYN214062	62mm
OM SYN214020	20mm	OM SYN214064	64mm
OM SYN214022	22mm	OM SYN214066	66mm
OM SYN214024	24mm	OM SYN214068	68mm
OM SYN214026	26mm	OM SYN214070	70mm
OM SYN214028	28mm	OM SYN214072	72mm
OM SYN214030	30mm	OM SYN214076	76mm
OM SYN214032	32mm	OM SYN214080	80mm
OM SYN214034	34mm	OM SYN214085	85mm
OM SYN214036	36mm	OM SYN214090	90mm
OM SYN214038	38mm	OM SYN214095	95mm
OM SYN214040	40mm	OM SYN214100	100mm
OM SYN214042	42mm	OM SYN214105	105mm
OM SYN214044	44mm	OM SYN214110	110mm
OM SYN214046	46mm	OM SYN214115	115mm
OM SYN214048	48mm	OM SYN214120	120mm
OM SYN214050	50mm	OM SYN214125	125mm
OM SYN214052	52mm	OM SYN214130	130mm
OM SYN214054	54mm	OM SYN214135	135mm
OM SYN214056	56mm	OM SYN214140	140mm

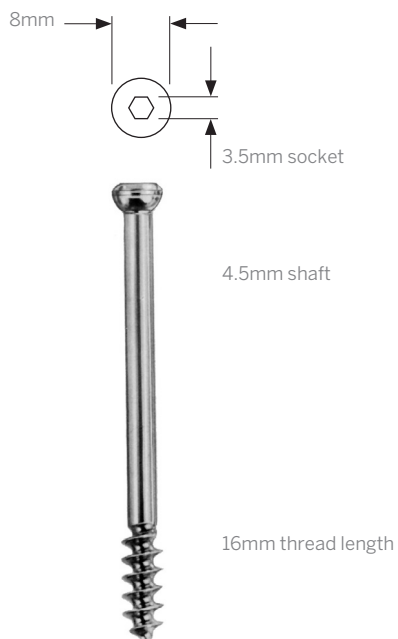


## 4.5MM MALLEOLAR SCREWS

Partially threaded  
Thread diameter: 4.5mm  
Shaft diameter: 3mm  
Hexagonal socket: 3.5mm

	Total length
OM SYN215025	25mm
OM SYN215030	30mm
OM SYN215035	35mm
OM SYN215040	40mm
OM SYN215045	45mm
OM SYN215050	50mm
OM SYN215055	55mm
OM SYN215060	60mm
OM SYN215065	65mm
OM SYN215070	70mm

Note: For the correct instrumentation, please refer to the chart at the beginning of this section.



**6.5MM CANCELLOUS SCREWS**

Thread diameter: 6.5mm  
 Shaft diameter: 4.5mm  
 Partially threaded: 16mm  
 Hexagonal socket: 3.5mm

	Total length
OM SYN216030	30mm
OM SYN216035	35mm
OM SYN216040	40mm
OM SYN216045	45mm
OM SYN216050	50mm
OM SYN216055	55mm
OM SYN216060	60mm
OM SYN216065	65mm
OM SYN216070	70mm
OM SYN216075	75mm
OM SYN216080	80mm
OM SYN216085	85mm
OM SYN216090	90mm
OM SYN216095	95mm
OM SYN216100	100mm
OM SYN216105	105mm
OM SYN216110	110mm

**6.5MM CANCELLOUS SCREWS**

Thread diameter: 6.5mm  
 Shaft diameter: 4.5mm  
 Partially threaded: 32mm  
 Hexagonal socket: 3.5mm

	Total length
OM SYN217045	45mm
OM SYN217050	50mm
OM SYN217055	55mm
OM SYN217060	60mm
OM SYN217065	65mm
OM SYN217070	70mm
OM SYN217075	75mm
OM SYN217080	80mm
OM SYN217085	85mm
OM SYN217090	90mm
OM SYN217095	95mm
OM SYN217100	100mm
OM SYN217105	105mm
OM SYN217110	110mm
OM SYN217115	115mm
OM SYN217120	120mm
OM SYN217125	125mm
OM SYN217130	130mm
OM SYN217135	135mm
OM SYN217140	140mm
OM SYN217145	145mm
OM SYN217150	150mm



**Note:** For the correct instrumentation, please refer to the chart at the beginning of this section.



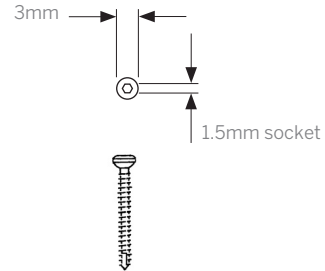
## 6.5MM CANCELLOUS SCREWS

Fully threaded  
Thread diameter: 6.5mm  
Hexagonal socket: 3.5mm

	Total length
OM SYN218020	20mm
OM SYN218025	25mm
OM SYN218030	30mm
OM SYN218035	35mm
OM SYN218040	40mm
OM SYN218045	45mm
OM SYN218050	50mm
OM SYN218055	55mm
OM SYN218060	60mm
OM SYN218065	65mm
OM SYN218070	70mm
OM SYN218075	75mm
OM SYN218080	80mm
OM SYN218085	85mm
OM SYN218090	90mm
OM SYN218095	95mm
OM SYN218100	100mm
OM SYN218105	105mm
OM SYN218110	110mm



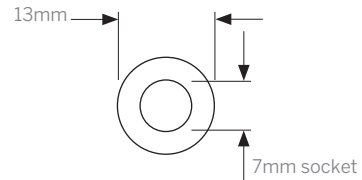
**NUT**  
OM 73-0813  
for 4.5mm cortical and malleolar screws  
8mm across flats



## 1.5MM CORTEX SELF-TAPPING SCREWS

Thread diameter: 1.5mm  
Hexagonal socket: 1.5mm

	Total length
OM SYN210806	6mm
OM SYN210807	7mm
OM SYN210808	8mm
OM SYN210809	9mm
OM SYN210810	10mm
OM SYN210811	11mm
OM SYN210812	12mm
OM SYN210814	14mm
OM SYN210816	16mm
OM SYN210818	18mm
OM SYN210820	20mm

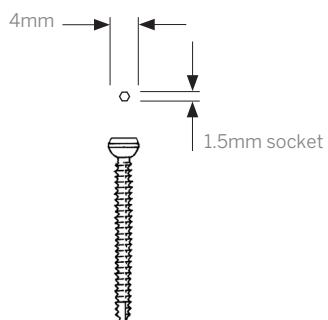


**WASHER**  
OM 73-0724  
for 4.5mm malleolar screws and 6.5mm cancellous screws



**WRENCH**  
OM 47-0914  
for nut OM 73-0813

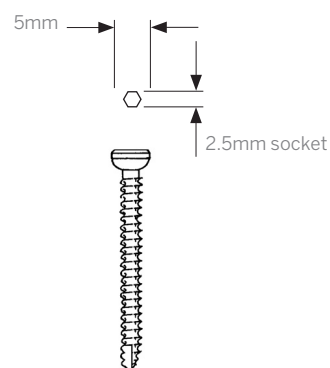
**Note:** For the correct instrumentation, please refer to the chart at the beginning of this section.



**2.0MM CORTEX SELF-TAPPING SCREWS**

Thread diameter: 2mm  
Hexagonal socket: 1.5mm

	Total length
OM SYN211806	6mm
OM SYN211808	8mm
OM SYN211810	10mm
OM SYN211812	12mm
OM SYN211814	14mm
OM SYN211816	16mm
OM SYN211818	18mm
OM SYN211820	20mm
OM SYN211822	22mm
OM SYN211824	24mm
OM SYN211826	26mm
OM SYN211828	28mm
OM SYN211830	30mm
OM SYN211832	32mm
OM SYN211834	34mm
OM SYN211836	36mm
OM SYN211840	40mm

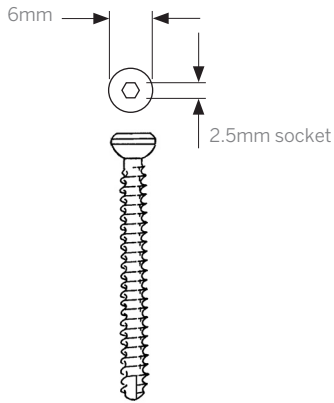


**2.7MM CORTEX SELF-TAPPING SCREWS**

Thread diameter: 2.7mm  
Hexagonal socket: 2.5mm

	Total length
OM SYN202806	6mm
OM SYN202808	8mm
OM SYN202810	10mm
OM SYN202812	12mm
OM SYN202814	14mm
OM SYN202816	16mm
OM SYN202818	18mm
OM SYN202820	20mm
OM SYN202822	22mm
OM SYN202824	24mm
OM SYN202826	26mm
OM SYN202828	28mm
OM SYN202830	30mm
OM SYN202832	32mm
OM SYN202834	34mm
OM SYN202840	40mm

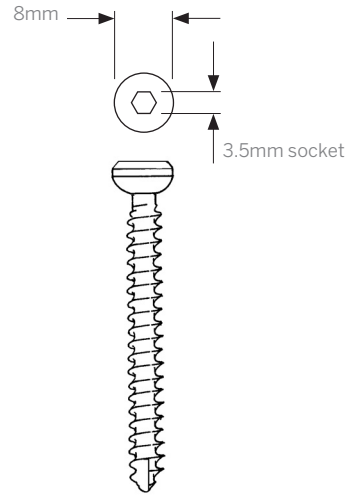
**Note:** For the correct instrumentation, please refer to the chart at the beginning of this section.



## 3.5MM CORTEX SELF-TAPPING SCREWS

Thread diameter: 3.5mm  
Pitch: 1.25mm (fine thread)  
Hexagonal socket: 2.5mm

	Total length		Total length
OM SYN 204810	10mm	OM SYN204840	40mm
OM SYN204812	12mm	OM SYN204845	45mm
OM SYN204814	14mm	OM SYN204850	50mm
OM SYN204816	16mm	OM SYN204855	55mm
OM SYN204818	18mm	OM SYN204860	60mm
OM SYN204820	20mm	OM SYN204865	65mm
OM SYN204822	22mm	OM SYN204870	70mm
OM SYN204824	24mm	OM SYN204875	75mm
OM SYN204826	26mm	OM SYN204880	80mm
OM SYN204828	28mm	OM SYN204885	85mm
OM SYN204830	30mm	OM SYN204890	90mm
OM SYN204832	32mm	OM SYN204895	95mm
OM SYN204834	34mm	OM SYN204900	100mm
OM SYN204836	36mm	OM SYN204905	105mm
OM SYN204838	38mm	OM SYN204910	110mm



## 4.5MM CORTEX SELF-TAPPING SCREWS

Fully threaded  
Thread diameter: 4.5mm  
Hexagonal socket: 3.5mm

	Total length		Total length
OM SYN214814	14mm	OM SYN214844	44mm
OM SYN214816	16mm	OM SYN214846	46mm
OM SYN214818	18mm	OM SYN214848	48mm
OM SYN214820	20mm	OM SYN214850	50mm
OM SYN214822	22mm	OM SYN214852	52mm
OM SYN214824	24mm	OM SYN214854	54mm
OM SYN214826	26mm	OM SYN214856	56mm
OM SYN214828	28mm	OM SYN214858	58mm
OM SYN214830	30mm	OM SYN214860	60mm
OM SYN214832	32mm	OM SYN214862	62mm
OM SYN214834	34mm	OM SYN214864	64mm
OM SYN214836	36mm	OM SYN214866	66mm
OM SYN214838	38mm	OM SYN214868	68mm
OM SYN214840	40mm	OM SYN214870	70mm
OM SYN214842	42mm		



**MINI PLATES STRAIGHT**

Width: 5mm  
 Thickness: 1mm  
 Distance between holes: 6mm  
 Recommended screws:  
 2mm Cortical (OM SYN211006 through OM SYN211038)

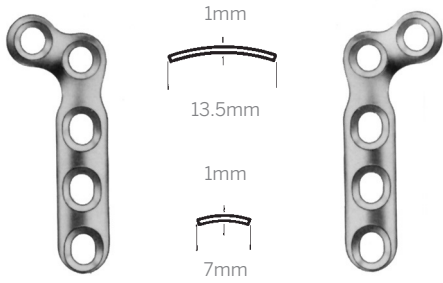
	Total Length	Number of holes
OM SYN243130	17mm	3
OM SYN243140	23mm	4
OM SYN243150	29mm	5
OM SYN243160	35mm	6



**MINI L- AND T-PLATES**

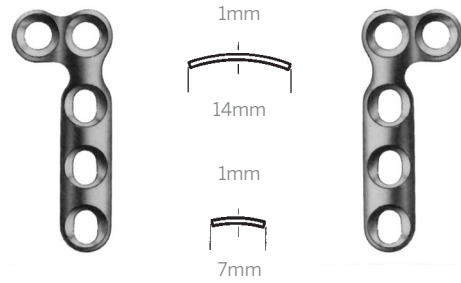
Width: 11mm/5mm  
 Thickness: 1mm  
 Distance between holes: 6mm  
 Recommended screws:  
 2mm Cortical (OM SYN211006 through OM SYN211038)

	Total Length	Number of holes
OM SYN243330	20mm	4
OM SYN243340	20mm	4
OM SYN243310	19mm	4
OM SYN243320	19mm	4
OM SYN243410	18mm	4



OM SYN242440  
"L" oblique left

OM SYN242340  
"L" oblique right



OM SYN242310  
"L" left

OM SYN242320  
"L" right

**L-PLATES**

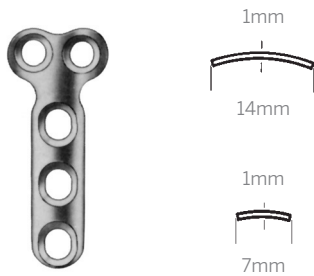
Width: 13.5mm/7mm and 14mm/7mm

Thickness: 1mm

Recommended screws:

2.7mm Cortical (OM SYN202006 through OM SYN202040)

	Length	Number of holes
OM SYN242330	35mm	5 "L" oblique left
OM SYN242340	35mm	5 "L" oblique right
OM SYN242310	32mm	5 "L" left
OM SYN242320	32mm	5 "L" right



**T-PLATES**

Width: 14mm/7mm

Thickness: 1mm

Recommended screws:

2.7mm Cortical (OM SYN202006 through OM SYN202040)

	Length	Number of holes
OM SYN242410	32mm	5



**MULTIPLE FRAGMENT PLATES**

Width: 15mm

Thickness: 1.2mm

Recommended screws:

2.7mm Cortical (OM SYN202006 through OM SYN202040)

	Length	Number of holes
OM 76-0262	44mm	7



	Length	Number of holes
OM SYN244020	20mm	2
OM SYN244040	36mm	4
OM SYN244050	44mm	5
OM SYN244060	52mm	6

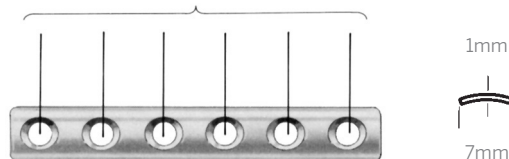


**MINI COMPRESSION PLATES**

Width: 8mm  
 Thickness: 2mm/2.5mm  
 Distance between holes: 8mm  
 Distance between center holes: 12mm  
 Recommended screws:  
 2.7mm Cortical (OM SYN202006 through OM SYN202040)

	Length	Number of holes
OM SYN244070	60mm	7
OM SYN244080	68mm	8
OM SYN244090	76mm	9
OM SYN244100	84mm	10
OM SYN244120	100mm	12

Diameter of holes: 3.3mm

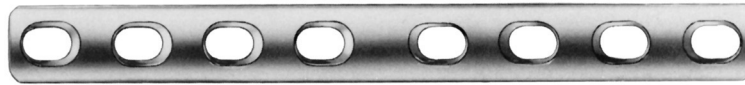


**QUARTER TUBULAR PLATES**

Width: 7mm  
 Thickness: 1mm  
 Distance between holes: 8mm  
 Recommended screws:  
 2.7mm Cortical (OM SYN202006 through OM SYN202040)

	Length	Number of holes
OM SYN242030	23mm	3
OM SYN242040	31mm	4
OM SYN242050	39mm	5
OM SYN242060	47mm	6
OM SYN242070	55mm	7
OM SYN242080	63mm	8
OM SYN242090	71mm	9

# BONE PLATES FOR 3.5MM, 4.0MM AND 4.5MM SCREWS



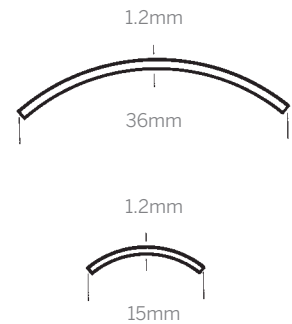
## SMALL COMPRESSION PLATES

Width: 10mm  
 Thickness: 3mm  
 Distance between holes: 12mm  
 Distance between center holes: 16mm  
 Recommended screws:  
 3.5mm Cortical (OM SYN204010 through OM SYN204110)  
 4.0mm Cancellous (OM SYN206010 through OM SYN206060)

	Length	Number of holes
OM SYN248020	25mm	2
OM SYN248030	37mm	3
OM SYN248040	49mm	4
OM SYN248050	61mm	5
OM SYN248060	73mm	6
OM SYN248070	85mm	7
OM SYN248080	97mm	8
OM SYN248100	121mm	10
OM SYN248120	145mm	12

## CLOVERLEAF PLATES

Width: 36mm/15mm  
 Thickness: 1.2mm  
 Recommended screws:  
 head: 3.5mm Cancellous (OM SYN206010 through OM SYN206060)  
 shaft: 4.5mm Cortical (OM SYN214014 through OM SYN214095)



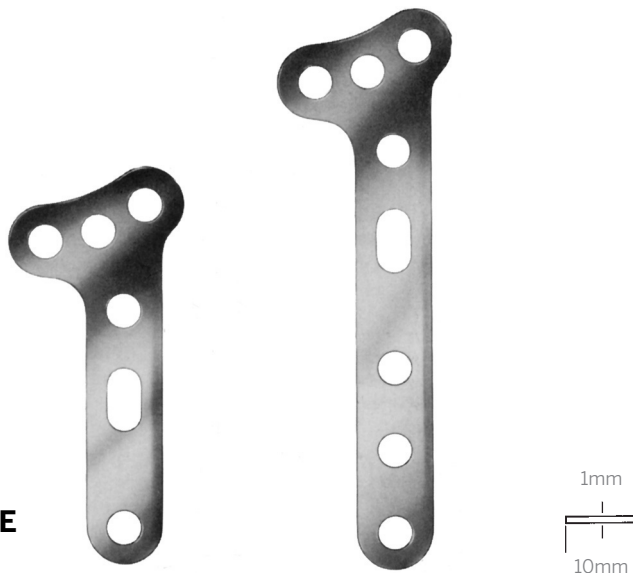
	Length	Number of holes
OM SYN241830	88mm	3
OM SYN241840	105mm	4



**SMALL T-PLATES**

Width: 10mm  
 Thickness: 1.2mm  
 Recommended screws:  
 3.5mm Cortical (OM SYN204010 through OM SYN204110)

	Length	Number of holes
OM SYN241130	45mm	3 X 3
OM SYN241140	58mm	4 X 4
OM SYN241150	66mm	3 X 5
OM SYN241160	78mm	4 X 6



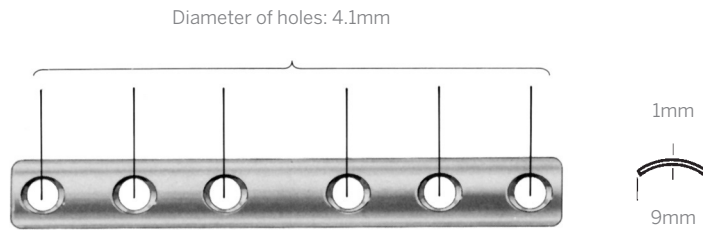
**SMALL T-PLATES OBLIQUE**

Width: 10mm  
 Thickness: 1.5mm  
 Recommended screws:  
 3.5mm Cortical (OM SYN204010 through OM SYN204110)

	Length	Number of holes
OM SYN241230	54mm	3 X 3
OM SYN241250	75mm	3 X 5



# BONE PLATES FOR 3.5MM AND 4.5MM SCREWS



## ONE-THIRD TUBULAR PLATES

Width: 9mm

Thickness: 1mm

Distance between holes: 12mm

Distance between center holes: 16mm

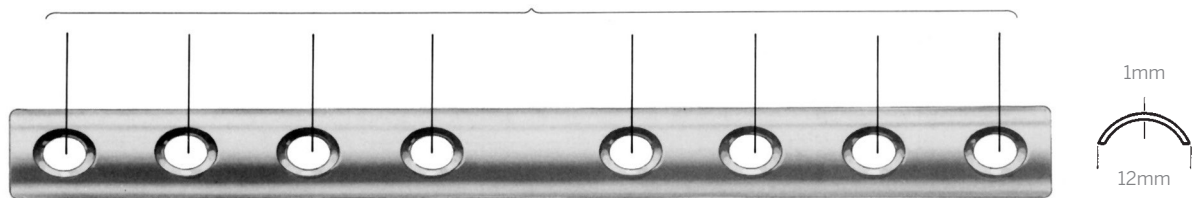
Recommended screws:

3.5mm Cortical (OM SYN204010 through OM SYN204110)

4.0mm Cancellous (OM SYN206010 through OM SYN206060)

4.0mm Cancellous (OM SYN207010 through OM SYN207060)

	Length	Number of holes
OM SYN241320	25mm	2
OM SYN241330	37mm	3
OM SYN241340	49mm	4
OM SYN241350	61mm	5
OM SYN241360	73mm	6
OM SYN241370	85mm	7
OM SYN241380	97mm	8



## SEMI-TUBULAR PLATES

Width: 12mm

Thickness: 1mm

Distance between holes: 16mm

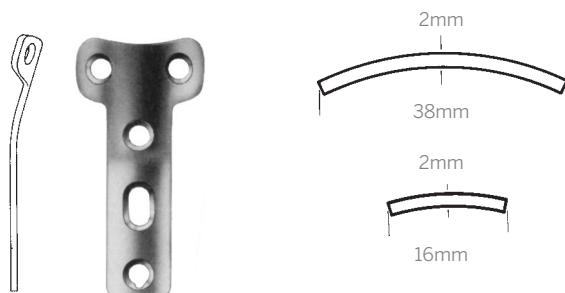
Distance between center holes: 26mm

Recommended screws:

4.5mm Cortical (OM SYN214014 through OM SYN214095)

4.5mm Malleolar (OM SYN215015 through OM SYN215070)

	Length	Number of holes
OM SYN222020	39mm	2
OM SYN222030	55mm	3
OM SYN222040	71mm	4
OM SYN222050	87mm	5
OM SYN222060	103mm	6
OM SYN222070	119mm	7
OM SYN222080	135mm	8
OM SYN222090	151mm	9
OM SYN222100	167mm	10
OM SYN222110	183mm	11
OM SYN222120	199mm	12



**T-PLATES**

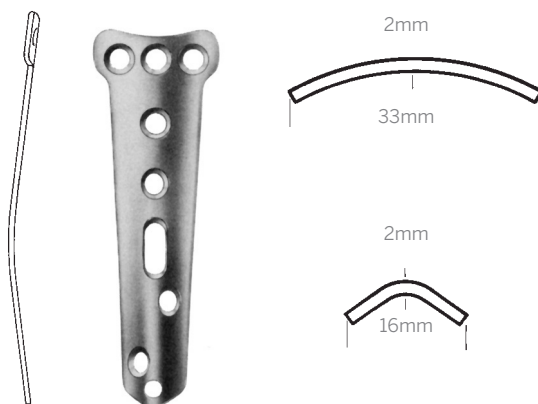
Width: 38mm/17mm

Thickness: 2mm

Recommended screws:

4.5mm Cortical (OM SYN214014 through OM SYN214095)

	Length	Number of holes
OM SYN240130	68mm	3
OM SYN240140	84mm	4
OM SYN240150	105mm	5
OM SYN240160	116mm	6
OM SYN240180	148mm	8



**SPOON PLATES**

Width: 33mm/16mm

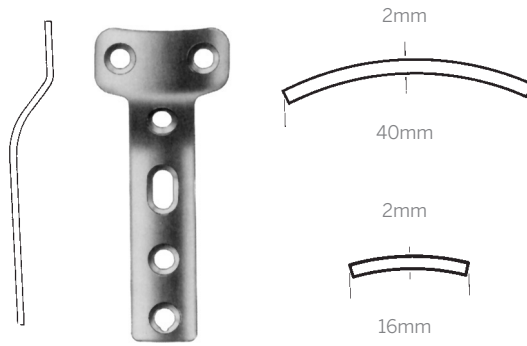
Thickness: 2mm

Recommended screws:

4.5mm Cortical (OM SYN214014 through OM SYN214095)

	Length	Number of holes
OM SYN240050	100mm	5
OM SYN240060	120mm	6

# BONE PLATES FOR 4.5MM SCREWS



## T-BUTTRESS PLATES

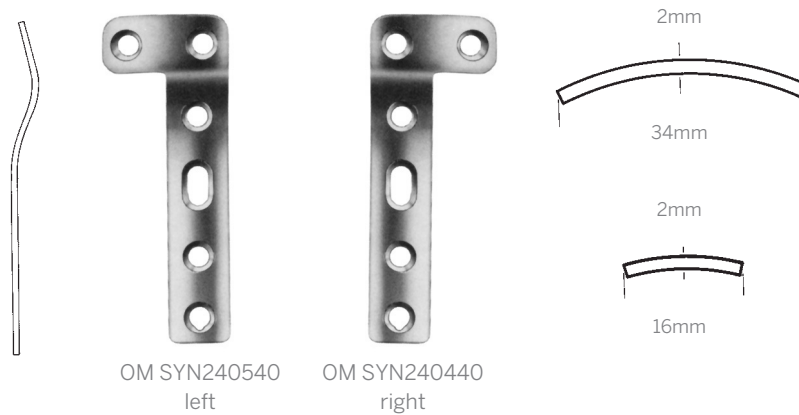
Width: 40mm/16mm

Thickness: 2mm

Recommended screws:

4.5mm Cortical (OM SYN214014 through OM SYN214095)

	Length	Number of holes
OM SYN240340	80mm	4
OM SYN240350	103mm	5
OM SYN240360	116mm	6



OM SYN240540  
left

OM SYN240440  
right

## L-BUTTRESS PLATES

Width: 34mm/16mm

Thickness: 2mm

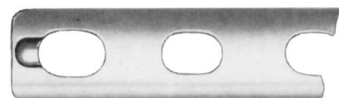
Recommended screws:

4.5mm Cortical (OM SYN214014 through OM SYN214095)

	Length	Number of holes
OM SYN240540	Left	87mm 4
OM SYN240440	Right	87mm 4



OM SYN224060



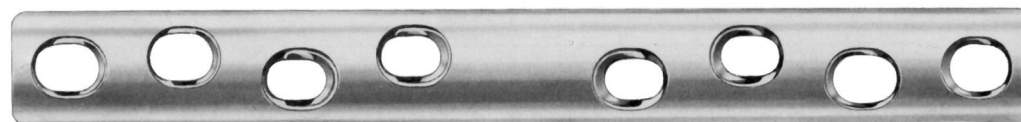
Both ends are notched to hold tension device  
OM 47-0910 or OM 47-0911.

**NARROW COMPRESSION PLATES**

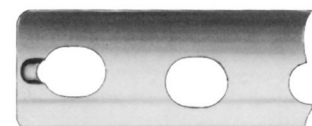
Width: 12mm  
 Thickness: 3.8mm  
 Distance between holes: 16mm  
 Distance between center holes: 25mm  
 Recommended screws:  
 4.5mm Cortical (OM SYN214014 through OM SYN214095)  
 4.5mm Malleolar (OM SYN215025 through OM SYN215070)  
 4.5mm Cancellous (OM SYN216030 through OM SYN216120)  
 (OM SYN217045 through OM SYN217150)  
 (OM SYN218020 through OM SYN218110)

	Length	Number of holes
OM SYN224020	39mm	2
OM SYN224030	55mm	3
OM SYN224040	71mm	4
OM SYN224050	87mm	5
OM SYN224060	103mm	6
OM SYN224070	119mm	7
OM SYN224080	135mm	8
OM SYN224090	151mm	9
OM SYN224100	167mm	10
OM SYN224110	183mm	11
OM SYN224120	199mm	12
OM SYN224130	215mm	13
OM SYN224140	231mm	14
OM SYN224150	247mm	15
OM SYN224160	263mm	16

Diameter of holes: 4.8mm



OM SYN226080



Both ends are notched to hold tension device  
OM 47-0910 or OM 47-0911.

**BROAD COMPRESSION PLATES**

Width: 16mm  
 Thickness: 4.5mm  
 Distance between holes: 16mm  
 Distance between center holes: 25mm  
 Recommended screws:  
 4.5mm Cortical (OM SYN214014 through OM SYN214095)  
 4.5mm Malleolar (OM SYN215025 through OM SYN215070)  
 4.5mm Cancellous (OM SYN216030 through OM SYN216120)  
 (OM SYN217045 through OM SYN217150)  
 (OM SYN218020 through OM SYN218110)

	Length	Number of holes
OM SYN226060	103mm	6
OM SYN226070	119mm	7
OM SYN226080	135mm	8
OM SYN226090	151mm	9
OM SYN226100	167mm	10
OM SYN226110	183mm	11
OM SYN226120	199mm	12
OM SYN226130	215mm	13
OM SYN226140	231mm	14
OM SYN226150	247mm	15
OM SYN226160	263mm	16
OM SYN226180	295mm	18